

**Submittal Data: WSM09MH16S** 9,000 BTU/h Wall Mounted Heat- Pump System

Job Name	Location	Date
Purchaser	Engineer	
Submitted To	For <input type="checkbox"/> Reference <input type="checkbox"/> Approval <input type="checkbox"/> Construction	
Unit Designation	Schedule No.	

**GENERAL FEATURES**

- Smart Design
- 16 SEER
- Optional wired controller
- 7 - 7 warranty



**System Ratings**

<b>Cooling</b>		
Rated Capacity		9,000 BTU/h
Capacity Range		3,500 - 11,000 BTU/h
Power Input		855 W
SEER (BTU/W)		15
EER (BTU/W)		10.5

**Indoor Unit Data**

<b>Fan Motor</b>	Output Power	20 W
<b>Airflow</b>	High / Medium / Low	282/253/153 CFM 480/430/260 m³/h
<b>Sound Pressure Level</b>	High / Medium / Low	39/33/24.5 dB(A)
<b>Dehumidication</b>		1.0 L/h
<b>Dimensions &amp; Weights</b>		
	Unit Dimensions(WxHxD)	28.19×11.81×7.60-in
	Weight (Net/Shipping)	15.87/21.16 LBS

<b>Heating at 47°F</b>		
Rated Capacity		9,800 BTU/h
Capacity Range		3,500 - 12,000 BTU/h
Power Input		910 W
HSPF Zone 4		9.0
HSPF Zone 5		7.4
COP (W/W)		3.31

**Outdoor Unit Data**

<b>Compressor</b>	DC Inverter Driven Rotary	
<b>Refrigerant Type</b>	R410A	
<b>Fan Motor</b>	Output Power	32 W
<b>SoundPressure</b>		54 dB(A)
<b>Dimensions&amp;Weights</b>		
	Unit Dimensions(WxHxD)	30.31×21.85×11.81-in
	Weight (Net/Shipping)	63.9/69.4 LBS

<b>Heating at 17°F</b>		
Rated Capacity		7,518 BTU/h

<b>Operating Range</b>		
Cooling	(Max)	122°F (50°C)
	(Min)	-13°F (-25°C)
Heating	(Max)	86°F (30°C)
	(Min)	-13°F (-25°C)

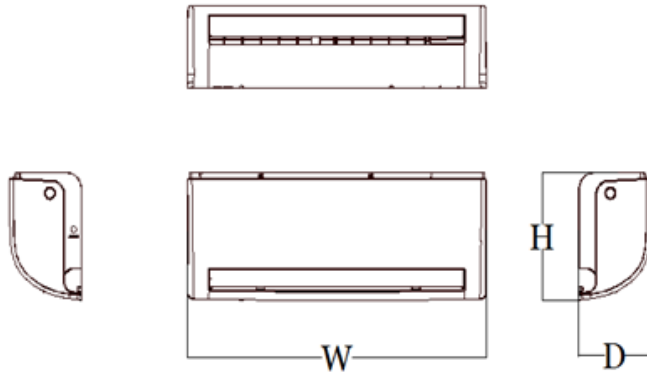
<b>Power Supply</b>		
Normal Operational Voltage		208/230 V, 1 Phase, 60 Hz
Interconnecting Cable Wire Size		16-4 AWG
MCA		10 A
MOCP/Breaker Size		15 A

<b>Refrigerant Piping Data</b>		
Gas Pipe Size (OD)		3/8-in
Liquid Pipe Size (OD)		1/4-in
Connection Method		Flared
MAX Refrigerant Pipe Length		82-ft
MIN Refrigerant Pipe Length		10-ft
MAX Refrigerant Pipe Height Difference		33-ft

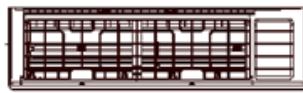
## DIMENSIONAL SPECIFICATIONS

### INDOOR UNIT DIMENSIONS

Units: inch



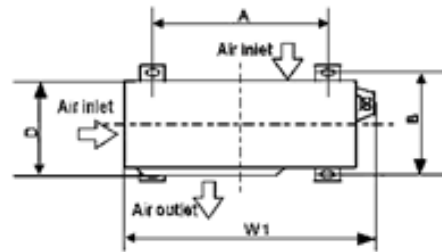
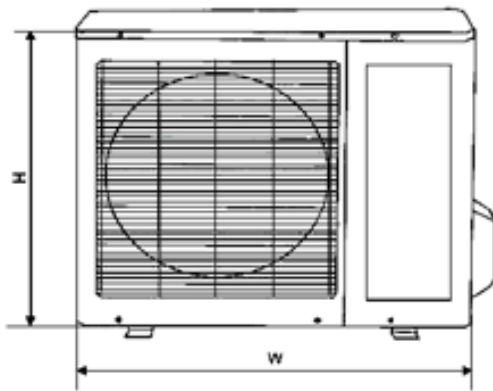
W (inch)	H (inch)	D (inch)
28.19	7.60	11.81



Liquid Line Valve	1/4-in OD Flared
Gas Line Valve	3/8-in OD Flared
Drain Connector	1-in OD

### OUTDOOR UNIT DIMENSIONS

Units: inch

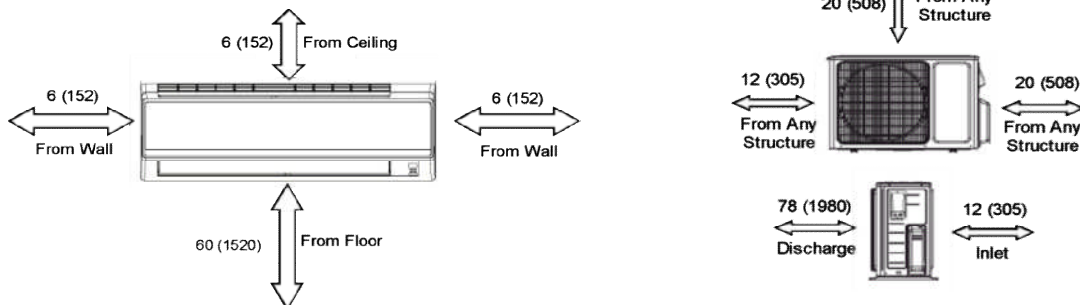


W (inch)	H (inch)	D (inch)	W1 (inch)	A (inch)	B (inch)
30.31	11.81	21.85	35.75	22.05	13.19

Liquid Line Valve	1/4-in OD Flared
Gas Line Valve	3/8-in OD Flared

### MINIMUM SPACING REQUIREMENTS

Units: inch (mm)



**Notes:**

1. Recommended Interconnecting Cable Type Stranded Bare Copper Conductors THHN 600V Wire
2. Power wiring cable size must comply with applicable national and local codes.
3. Test conditions are based on AHRI 210/240.



Specifications are subject to change without notice. Manufacturer reserves the right to discontinue or modify specifications or designs without notice or without incurring obligations. All rights reserved.