

Submittal Data: WSM09MH20S 9,000 BTU/h Wall Mounted Heat- Pump System

| | | |
|------------------|----------------------------------------------------------------------------------------------------------------|------|
| Job Name | Location | Date |
| Purchaser | Engineer | |
| Submitted To | For <input type="checkbox"/> Reference <input type="checkbox"/> Approval <input type="checkbox"/> Construction | |
| Unit Designation | Schedule No. | |

GENERAL FEATURES

- **Smart Design**
- **20 SEER**
- **Optional wired controller**
- **Wi-Fi**
- **Energy Star**
- **7-7 Warranty**



System Ratings

| | | |
|----------------|--|----------------------|
| Cooling | | |
| Rated Capacity | | 9,000 BTU/h |
| Capacity Range | | 4,000 - 11,000 BTU/h |
| Power Input | | 642 W |
| SEER (BTU/W) | | 20.5 |
| EER (BTU/W) | | 14 |

Indoor Unit Data

| | | |
|---------------------------------|------------------------|-------------------------------------|
| Fan Motor | Output Power | 20 W |
| Airflow | High / Medium / Low | 271/229/165 CFM 460/389/280 m³/h |
| Sound Pressure Level | High / Medium / Low | 39.5/34/25 dB(A) |
| Dehumidication | | 1.0 L/h |
| Dimensions & Weights | | |
| | Unit Dimensions(WxHxD) | 31.65×11.81×7.60-in |
| | Weight (Net/Shipping) | 18.74/22.49 LBS |

| | | |
|-------------------------|--|----------------------|
| Heating at 47 °F | | |
| Rated Capacity | | 9,800 BTU/h |
| Capacity Range | | 4,000 - 12,500 BTU/h |
| Power Input | | 900 W |
| HSPF Zone 4 | | 10.0 |
| HSPF Zone 5 | | 8.1 |
| COP (W/W) | | 3.4 |

Outdoor Unit Data

| | | |
|---------------------------------|---------------------------|----------------------|
| Compressor | DC Inverter Driven Rotary | |
| Refrigerant Type | R410A | |
| Fan Motor | Output Power | 40 W |
| Sound Pressure | | 55.5 dB(A) |
| Dimensions & Weights | | |
| | Unit Dimensions(WxHxD) | 30.31×21.85×11.81-in |
| | Weight (Net/Shipping) | 63.9/69.4 LBS |

| | | |
|------------------------|--|-------------|
| Heating at 17°F | | |
| Rated Capacity | | 7,962 BTU/h |

| | | |
|------------------------|-------|---------------|
| Operating Range | | |
| Cooling | (Max) | 122°F (50°C) |
| | (Min) | -13°F (-25°C) |
| Heating | (Max) | 86°F (30°C) |
| | (Min) | -13°F (-25°C) |

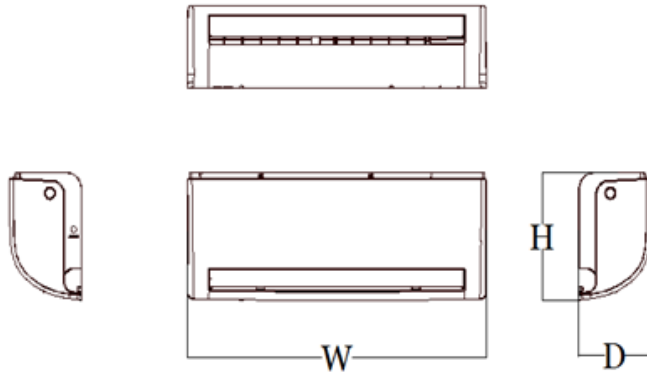
| | | |
|---------------------------------|--|---------------------------|
| Power Supply | | |
| Normal Operational Voltage | | 208/230 V, 1 Phase, 60 Hz |
| Interconnecting Cable Wire Size | | 16-4 AWG |
| MCA | | 10 A |
| MOCP/Breaker Size | | 15 A |

| | | |
|----------------------------------------|--|--------|
| Refrigerant Piping Data | | |
| Gas Pipe Size (OD) | | 3/8-in |
| Liquid Pipe Size (OD) | | 1/4-in |
| Connection Method | | Flared |
| MAX Refrigerant Pipe Length | | 82-ft |
| MIN Refrigerant Pipe Length | | 10-ft |
| MAX Refrigerant Pipe Height Difference | | 33-ft |

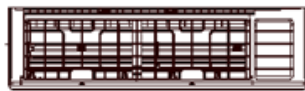
DIMENSIONAL SPECIFICATIONS

INDOOR UNIT DIMENSIONS

Units: inch



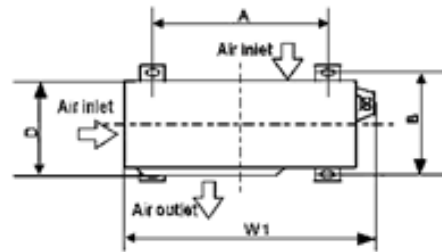
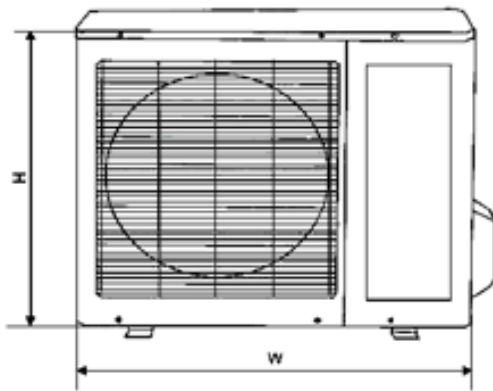
| W (inch) | H (inch) | D (inch) |
|----------|----------|----------|
| 31.65 | 7.60 | 11.81 |



| | |
|-------------------|------------------|
| Liquid Line Valve | 1/4-in OD Flared |
| Gas Line Valve | 3/8-in OD Flared |
| Drain Connector | 1-in OD |

OUTDOOR UNIT DIMENSIONS

Units: inch

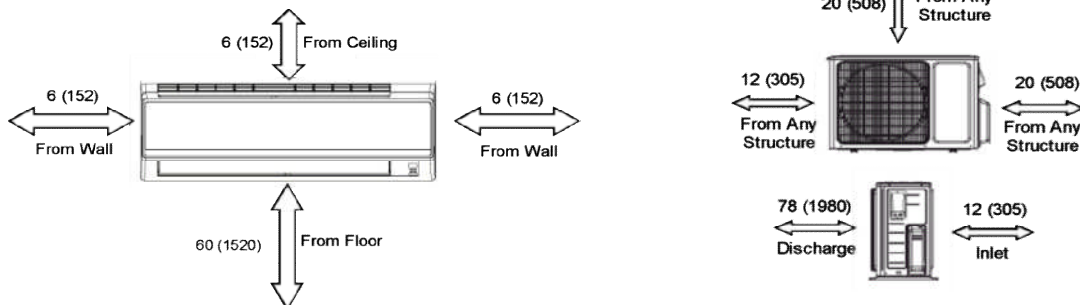


| W (inch) | H (inch) | D (inch) | W1 (inch) | A (inch) | B (inch) |
|----------|----------|----------|-----------|----------|----------|
| 30.31 | 11.81 | 21.85 | 35.75 | 22.05 | 13.19 |

| | |
|-------------------|------------------|
| Liquid Line Valve | 1/4-in OD Flared |
| Gas Line Valve | 3/8-in OD Flared |

MINIMUM SPACING REQUIREMENTS

Units: inch (mm)



Notes:

1. Recommended Interconnecting Cable Type Stranded Bare Copper Conductors THHN 600V Wire
2. Power wiring cable size must comply with applicable national and local codes.
3. Test conditions are based on AHRI 210/240.



Specifications are subject to change without notice. Manufacturer reserves the right to discontinue or modify specifications or designs without notice or without incurring obligations. All rights reserved.