

Submittal Data: WSM12MH16S 12,000 BTU/h Wall Mounted Heat- Pump System

Job Name	Location	Date
Purchaser	Engineer	
Submitted To	For <input type="checkbox"/> Reference <input type="checkbox"/> Approval <input type="checkbox"/> Construction	
Unit Designation	Schedule No.	

GENERAL FEATURES

- Smart Design
- 16 SEER
- Optional wired controller
- 7 - 7 warranty



System Ratings

Cooling		
Rated Capacity		12,000 BTU/h
Capacity Range		3,500 - 13,500 BTU/h
Power Input		1100 W
SEER (BTU/W)		17
EER (BTU/W)		10.9

Heating at 47°F		
Rated Capacity		12,000 BTU/h
Capacity Range		3,500 - 14,500 BTU/h
Power Input		1100 W
HSPF Zone 4		9.0
HSPF Zone 5		7.5
COP (W/W)		3.39

Heating at 17°F		
Rated Capacity		8,480 BTU/h

Operating Range		
Cooling	(Max)	122°F (50°C)
	(Min)	-13°F (-25°C)
Heating	(Max)	86°F (30°C)
	(Min)	-13°F (-25°C)

Power Supply		
Normal Operational Voltage		208/230 V, 1 Phase, 60 Hz
Interconnecting Cable Wire Size		16-4 AWG
MCA		12 A
MOCP/Breaker Size		15 A

Indoor Unit Data

Fan Motor	Output Power	20 W
Airflow	High / Medium / Low	324/282/212 CFM 550/480/360 m³/h
Sound Pressure Level	High / Medium / Low	40/34/24.5 dB(A)
Dehumidification		1.2 L/h
Dimensions & Weights		
	Unit Dimensions(WxHxD)	31.65x11.81x7.60-in
	Weight (Net/Shipping)	16.98/22.49 LBS

Outdoor Unit Data

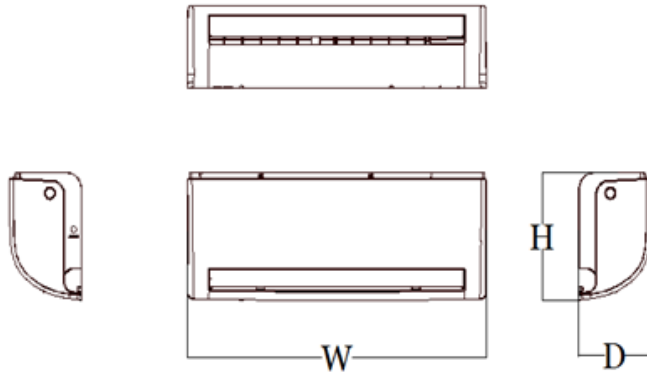
Compressor	DC Inverter Driven Rotary	
Refrigerant Type	R410A	
Fan Motor	Output Power	32 W
Sound Pressure		53 dB(A)
Dimensions & Weights		
	Unit Dimensions(WxHxD)	30.31x11.81x21.85-in
	Weight (Net/Shipping)	65.0/70.5 LBS

Refrigerant Piping Data		
	Gas Pipe Size (OD)	1/2-in
	Liquid Pipe Size (OD)	1/4-in
	Connection Method	Flared
	MAX Refrigerant Pipe Length	82-ft
	MIN Refrigerant Pipe Length	10-ft
	MAX Refrigerant Pipe Height Difference	33-ft

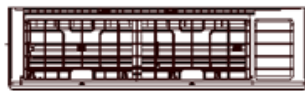
DIMENSIONAL SPECIFICATIONS

INDOOR UNIT DIMENSIONS

Units: inch



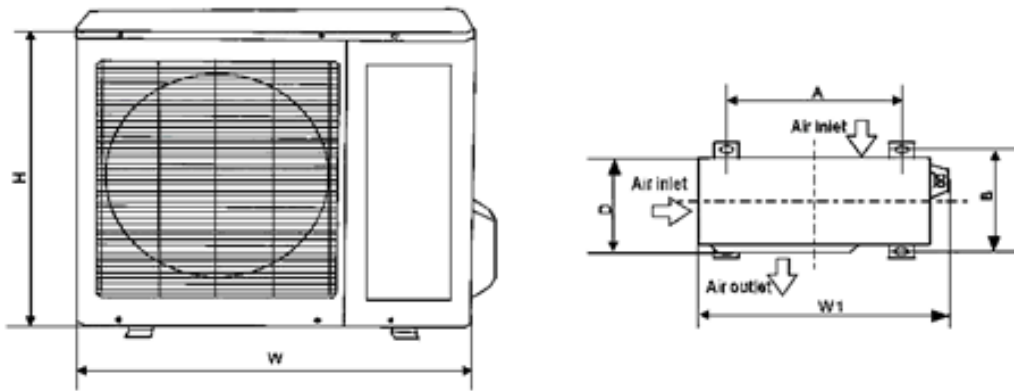
W (inch)	H (inch)	D (inch)
31.65	7.60	11.81



Liquid Line Valve	1/4-in OD Flared
Gas Line Valve	1/2-in OD Flared
Drain Connector	1-in OD

OUTDOOR UNIT DIMENSIONS

Units: inch

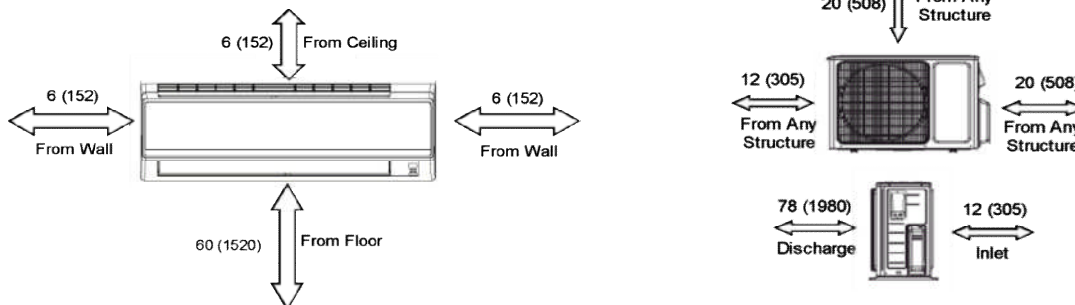


W (inch)	H (inch)	D (inch)	W1 (inch)	A (inch)	B (inch)
30.31	11.81	21.85	32.40	20.87	11.42

Liquid Line Valve	1/4-in OD Flared
Gas Line Valve	1/2-in OD Flared

MINIMUM SPACING REQUIREMENTS

Units: inch (mm)



Notes:

1. Recommended Interconnecting Cable Type Stranded Bare Copper Conductors THHN 600V Wire
2. Power wiring cable size must comply with applicable national and local codes.
3. Test conditions are based on AHRI 210/240.

Specifications are subject to change without notice. Manufacturer reserves the right to discontinue or modify specifications or designs without notice or without incurring obligations. All rights reserved.

