

**Submittal Data: WSM18MH16S** 18,000 BTU/h Wall Mounted Heat- Pump System

Job Name \_\_\_\_\_ Location \_\_\_\_\_ Date \_\_\_\_\_

Purchaser \_\_\_\_\_ Engineer \_\_\_\_\_

Submitted To \_\_\_\_\_ For  Reference  Approval  Construction

Unit Designation \_\_\_\_\_ Schedule No. \_\_\_\_\_

**GENERAL FEATURES**

- Smart Design
- 16 SEER
- Optional wired controller
- 7 - 7 warranty



**System Ratings**

**Indoor Unit Data**

**Cooling**

Rated Capacity	18,000 BTU/h
Capacity Range	5,000 - 20,000 BTU/h
Power Input	1,635 W
SEER (BTU/W)	16
EER (BTU/W)	11

<b>Fan Motor</b>	Output Power	58 W
<b>Airflow</b>	High / Medium / Low	529/412/353 CFM 900/700/600 m³/h
<b>Sound Pressure Level</b>	High / Medium / Low	45/39/32.5 dB(A)
<b>Dehumidication</b>		1.8 L/h
<b>Dimensions &amp; Weights</b>	Unit Dimensions(WxHxD)	37.95x8.74x12.80-in
	Weight (Net/Shipping)	24.25/31.97 LBS

**Heating at 47°F**

Rated Capacity	18,000 BTU/h
Capacity Range	6,000 - 21,000 BTU/h
Power Input	1,635 W
HSPF Zone 4	9.0
HSPF Zone 5	8.0
COP (W/W)	3.40

**Outdoor Unit Data**

<b>Compressor</b>	DC Inverter Driven Rotary	
<b>Refrigerant Type</b>	R410A	
<b>Fan Motor</b>	Output Power	48 W
<b>SoundPressure</b>		57.5 dB(A)
<b>Dimensions&amp;Weights</b>	Unit Dimensions(WxHxD)	31.50x21.81x13.11-in
	Weight (Net/Shipping)	80.5/87.1 LBS

**Heating at 17°F**

Rated Capacity	12,547 BTU/h
----------------	--------------

**Operating Range**

Cooling	(Max)	122°F (50°C)
	(Min)	-13°F (-25°C)
Heating	(Max)	86°F (30°C)
	(Min)	-13°F (-25°C)

**Refrigerant Piping Data**

Gas Pipe Size (OD)	1/2-in
Liquid Pipe Size (OD)	1/4-in
Connection Method	Flared
MAX Refrigerant Pipe Length	98-ft
MIN Refrigerant Pipe Length	10-ft
MAX Refrigerant Pipe Height Difference	66-ft

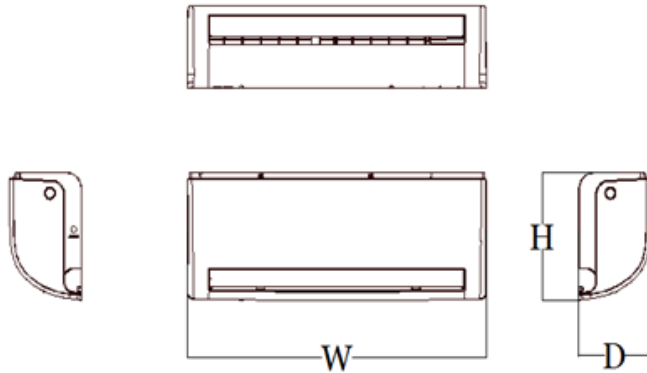
**Power Supply**

Normal Operational Voltage	208/230 V, 1 Phase, 60 Hz
Interconnecting Cable Wire Size	16-4 AWG
MCA	15 A
MOCP/Breaker Size	20 A

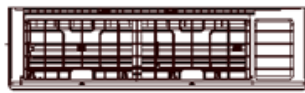
## DIMENSIONAL SPECIFICATIONS

### INDOOR UNIT DIMENSIONS

Units: inch



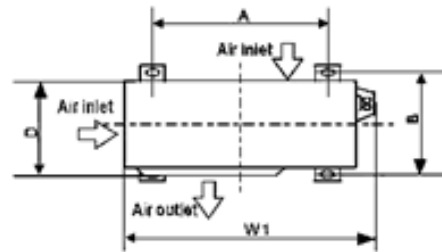
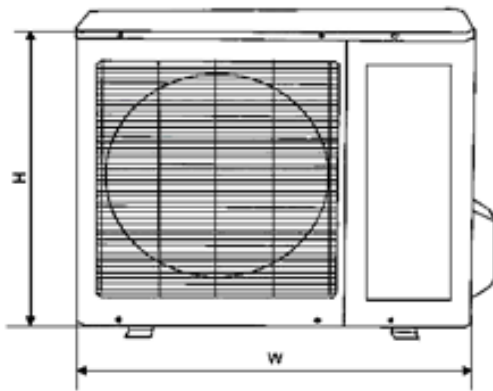
W (inch)	H (inch)	D (inch)
37.95	8.74	12.80



Liquid Line Valve	1/4-in OD Flared
Gas Line Valve	1/2-in OD Flared
Drain Connector	1-in OD

### OUTDOOR UNIT DIMENSIONS

Units: inch

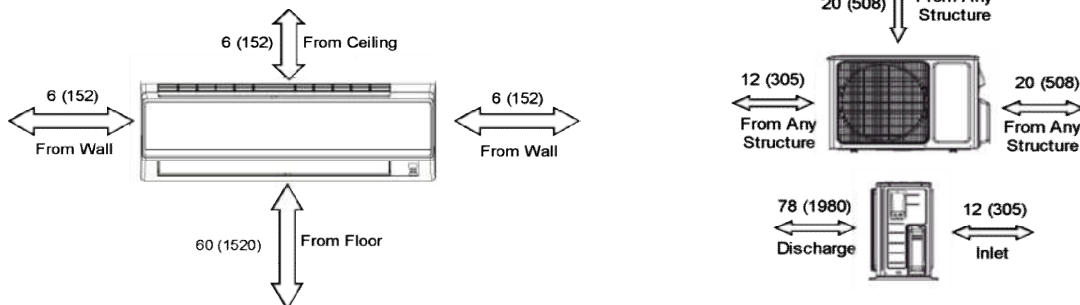


W (inch)	H (inch)	D (inch)	W1 (inch)	A (inch)	B (inch)
31.50	13.11	21.81	38.58	23.23	13.11

Liquid Line Valve	1/4-in OD Flared
Gas Line Valve	1/2-in OD Flared

### MINIMUM SPACING REQUIREMENTS

Units: inch (mm)



**Notes:**

1. Recommended Interconnecting Cable Type Stranded Bare Copper Conductors THHN 600V Wire
2. Power wiring cable size must comply with applicable national and local codes.
3. Test conditions are based on AHRI 210/240.

Specifications are subject to change without notice. Manufacturer reserves the right to discontinue or modify specifications or designs without notice or without incurring obligations. All rights reserved.

