

**Submittal Data: WSM24MH16S** 24,000 BTU/h Wall Mounted Heat- Pump System

|                  |  |      |
|------------------|--|------|
| Job Name         | Location   | Date |
| Purchaser        | Engineer   |      |
| Submitted To     | For <input type="checkbox"/> Reference <input type="checkbox"/> Approval <input type="checkbox"/> Construction |      |
| Unit Designation | Schedule No.   |      |

**GENERAL FEATURES**

- Smart Design
- 16 SEER
- Optional wired controller
- 7 - 7 warranty



**System Ratings**

|                |  |                      |
|----------------|--|----------------------|
| <b>Cooling</b> |  |                      |
| Rated Capacity |  | 24,000 BTU/h         |
| Capacity Range |  | 8,000 - 26,000 BTU/h |
| Power Input    |  | 2,525 W              |
| SEER (BTU/W)   |  | 15.2                 |
| EER (BTU/W)    |  | 9.5                  |

|                        |  |                      |
|------------------------|--|----------------------|
| <b>Heating at 47°F</b> |  |                      |
| Rated Capacity         |  | 25,000 BTU/h         |
| Capacity Range         |  | 8,000 - 29,500 BTU/h |
| Power Input            |  | 2,450 W              |
| HSPF Zone 4            |  | 9.0                  |
| HSPF Zone 5            |  | 7.5                  |
| COP (W/W)              |  | 3.16                 |

|                        |  |              |
|------------------------|--|--------------|
| <b>Heating at 17°F</b> |  |              |
| Rated Capacity         |  | 16,532 BTU/h |

|                        |       |               |
|------------------------|-------|---------------|
| <b>Operating Range</b> |       |               |
| Cooling                | (Max) | 122°F (50°C)  |
|                        | (Min) | -13°F (-25°C) |
| Heating                | (Max) | 86°F (30°C)   |
|                        | (Min) | -13°F (-25°C) |

|                                 |  |                           |
|---------------------------------|--|---------------------------|
| <b>Power Supply</b>             |  |                           |
| Normal Operational Voltage      |  | 208/230 V, 1 Phase, 60 Hz |
| Interconnecting Cable Wire Size |  | 16-4 AWG                  |
| MCA                             |  | 18 A                      |
| MOCP/Breaker Size               |  | 25 A                      |

**Indoor Unit Data**

|                                 |              |                                      |
|---------------------------------|--------------|--------------------------------------|
| <b>Fan Motor</b>                | Output Power | 58 W                                 |
| <b>Airflow</b>                  |              |                                      |
| High / Medium / Low             |              | 588/471/294 CFM<br>1000/800/500 m³/h |
| <b>Sound Pressure Level</b>     |              |                                      |
| High / Medium / Low             |              | 47/41/33 dB(A)                       |
| <b>Dehumidication</b>           |              | 2.6 L/h                              |
| <b>Dimensions &amp; Weights</b> |              |                                      |
| Unit Dimensions(WxHxD)          |              | 43.54×13.46×9.13-in                  |
| Weight (Net/Shipping)           |              | 91.1/97.9 LBS                        |

**Outdoor Unit Data**

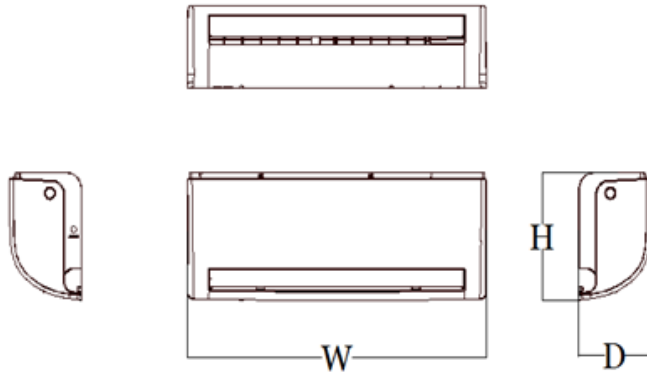
|                               |                           |                      |
|-------------------------------|---------------------------|----------------------|
| <b>Compressor</b>             | DC Inverter Driven Rotary |                      |
| <b>Refrigerant Type</b>       | R410A                     |                      |
| <b>Fan Motor</b>              | Output Power              | 63 W                 |
| <b>SoundPressure</b>          |                           | 59 dB(A)             |
| <b>Dimensions&amp;Weights</b> |                           |                      |
| Unit Dimensions(WxHxD)        |                           | 33.27x27.64x14.29-in |
| Weight (Net/Shipping)         |                           | 136.69/147.27 LBS    |

|  |  |        |
|--|--|--------|
| <b>Refrigerant Piping Data</b>         |  |        |
| Gas Pipe Size (OD)                     |  | 3/8-in |
| Liquid Pipe Size (OD)                  |  | 5/8-in |
| Connection Method                      |  | Flared |
| MAX Refrigerant Pipe Length            |  | 98-ft  |
| MIN Refrigerant Pipe Length            |  | 10-ft  |
| MAX Refrigerant Pipe Height Difference |  | 66-ft  |

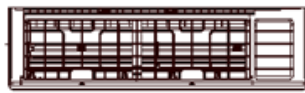
## DIMENSIONAL SPECIFICATIONS

### INDOOR UNIT DIMENSIONS

Units: inch



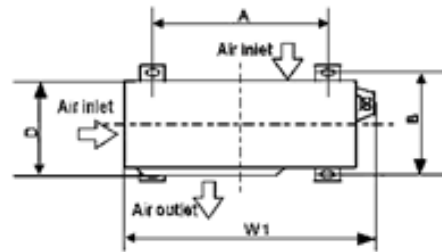
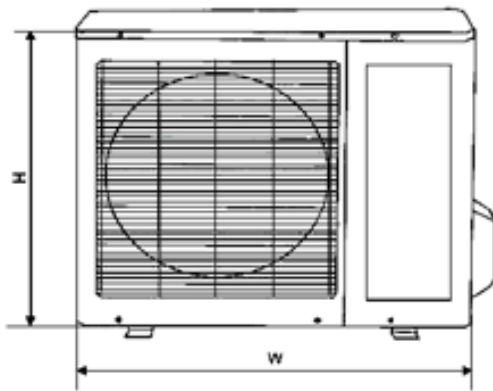
| W (inch) | H (inch) | D (inch) |
|----------|----------|----------|
| 43.54    | 9.13     | 13.46    |



|                   |                  |
|-------------------|------------------|
| Liquid Line Valve | 3/8-in OD Flared |
| Gas Line Valve    | 5/8-in OD Flared |
| Drain Connector   | 1-in OD          |

### OUTDOOR UNIT DIMENSIONS

Units: inch

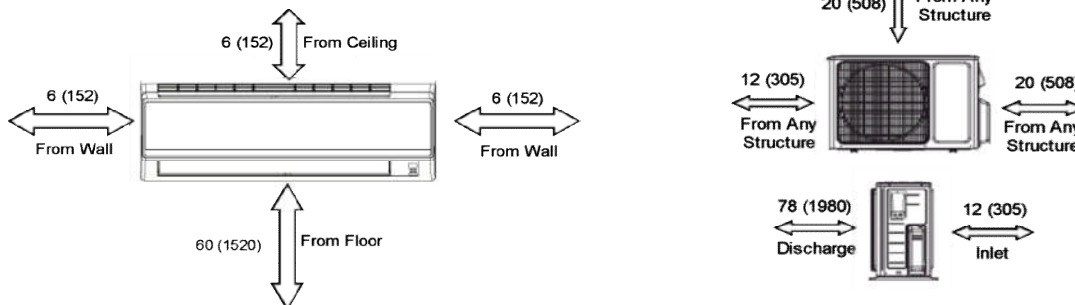


| W (inch) | H (inch) | D (inch) | W1 (inch) | A (inch) | B (inch) |
|----------|----------|----------|-----------|----------|----------|
| 33.27    | 14.29    | 27.64    | 34.41     | 21.61    | 12.80    |

|                   |                  |
|-------------------|------------------|
| Liquid Line Valve | 3/8-in OD Flared |
| Gas Line Valve    | 5/8-in OD Flared |

### MINIMUM SPACING REQUIREMENTS

Units: inch (mm)



**Notes:**

1. Recommended Interconnecting Cable Type Stranded Bare Copper Conductors THHN 600V Wire
2. Power wiring cable size must comply with applicable national and local codes.
3. Test conditions are based on AHRI 210/240.

Specifications are subject to change without notice. Manufacturer reserves the right to discontinue or modify specifications or designs without notice or without incurring obligations. All rights reserved.

