

**Submittal Data:** 9,000 BTU/h Wall Mounted Heat- Pump System

Job Name Location Date

Purchaser Engineer

Submitted To For  Reference  Approval  Construction

Unit Designation Schedule No.

**GENERAL FEATURES**

- Ultra Heat
- Ultra Cool
- Wifi application
- Optional wired control
- 20 to 25.5 SEER



**System Ratings**

**Indoor Unit Data**

**Cooling**

Rated Capacity	9,000 BTU/h
Capacity Range	3,000 - 11,000 BTU/h
Power Input	620 W
SEER (Btu/h / W)	25
EER (Btu/h / W)	14.5

<b>Fan Motor</b>	Output Power	20 W
	RLA	0.06 A
<b>Airflow</b>	High / Medium / Low	418/324/247 CFM
		710/550/420 m³/h
<b>Sound Pressure Level</b>	High / Medium / Low	44.5/36/27 dB(A)
<b>Dehumidication</b>		0 L/h
<b>Dimensions &amp; Weights</b>	Unit Dimensions(WxHxD)	32.87×7.80×11.02-in
	Weight (Net/Gross)	19.84/25.35 LBS

**Heating**

Rated Capacity	10,900 BTU/h
Capacity Range	3,500 - 13,500 BTU/h
Power Input	1,350 W
HSPF Zone 4	11
HSPF Zone 5	8.6
COP	3.86

**Outdoor Unit Data**

**Heating at 5°F**

Capacity	10,900 BTU/h
----------	--------------

<b>Compressor</b>	DC Inverter Driven Rotary	
<b>Refrigerant Type</b>	R410A	
<b>Fan Motor</b>	Output Power	40 W
	RLA	0.16 A
<b>Sound Pressure</b>	58 dB(A)	
<b>Dimensions &amp; Weights</b>	Unit Dimensions(WxHxD)	31.50×21.81×13.11-in
	Weight (Net/Gross)	88.2/93.7 LBS

**Operating Range**

Cooling	(Max)	122°F (50°C)
	(Min)	-22°F (-30°C)
Heating	(Max)	86°F (30°C)
	(Min)	-22°F (-30°C)

**Refrigerant Piping Data**

Gas Pipe Size (OD)	3/8-in
Liquid Pipe Size (OD)	1/4-in
Connection Method	Flared
MAX Refrigerant Pipe Length	82-ft
MIN Refrigerant Pipe Length	10-ft
MAX Refrigerant Pipe Height Difference	33-ft

**Power Supply**

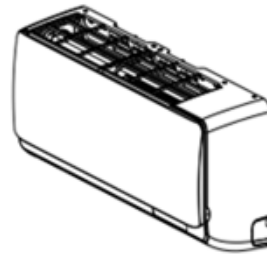
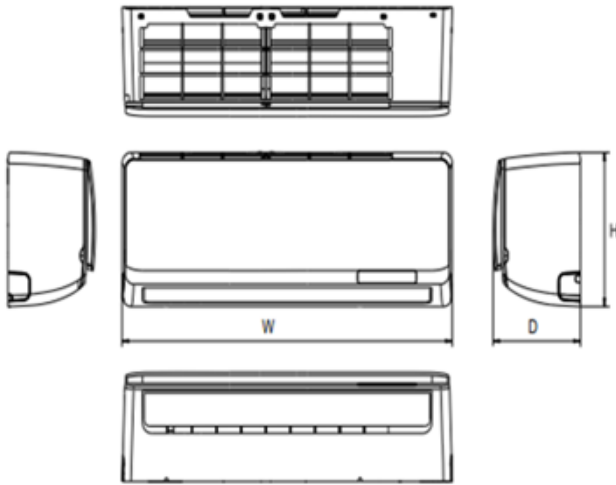
Normal Operational Voltage	208/230 V, 1 Phase, 60 Hz
Interconnecting Cable Wire Size	16-4 AWG
MCA	9 A
MOCP/Breaker Size	15 A

## DIMENSIONAL SPECIFICATIONS

N/A

### INDOOR UNIT DIMENSIONS

Units: inch

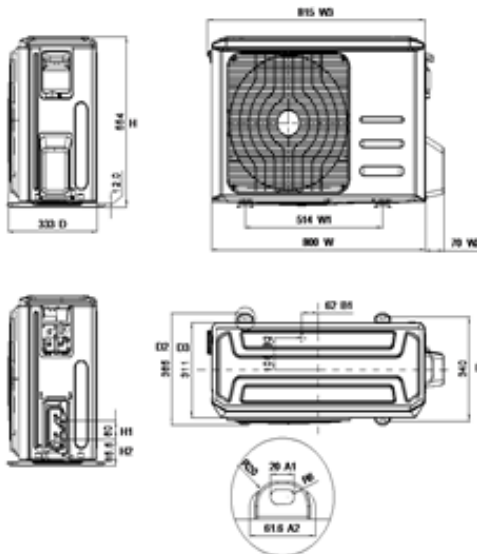


W (inch)	D (inch)	H (inch)
32.87	7.80	11.02

Liquid Line Valve	1/4-in OD Flared
Gas Line Valve	3/8-in OD Flared
Drain Connector	-in OD

### OUTDOOR UNIT DIMENSIONS

Units: inch

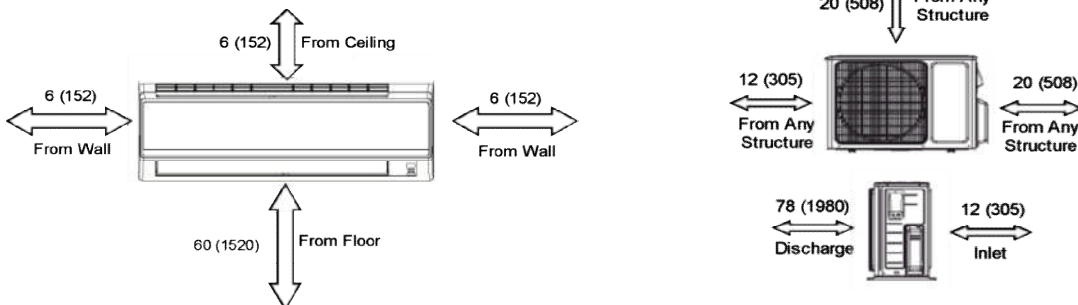


W (inch)	D (inch)	H (inch)	W+W2 (inch)	W1 (inch)	D1 (inch)
31.50	13.11	21.81	34.25	20.24	13.39

Liquid Line Valve	1/4-in OD Flared
Gas Line Valve	3/8-in OD Flared

### MINIMUM SPACING REQUIREMENTS

Units: inch (mm)



**Notes:**

1. Recommended Interconnecting Cable Type Stranded Bare Copper Conductors THHN 600V Wire
2. Power wiring cable size must comply with applicable national and local codes.
3. Test conditions are based on AHRI 210/240.



Specifications are subject to change without notice. Manufacturer reserves the right to discontinue or modify specifications or designs without notice or without incurring obligations. All rights reserved.