

Submittal Data: WPU12MH22S1 & WUHOS-12K W22S 12,000 BTU/h Wall Mounted Heat- Pump System

Job Name _____ Location _____ Date _____

Purchaser _____ Engineer _____

Submitted To _____ For Reference Approval Construction

Unit Designation _____ Schedule No. _____

- GENERAL FEATURES**
- Ultra Heat
 - Ultra Cool
 - Wifi application
 - Optional wired control
 - 20 to 25.5 SEER



System Ratings

Indoor Unit Data

Cooling	
Rated Capacity	12,000 BTU/h
Capacity Range	3,000 - 14,500 BTU/h
Power Input	960 W
SEER (Btu/h / W)	22.5
EER (Btu/h / W)	12.5

Fan Motor	Output Power	20 W
	RLA	0.06 A
Airflow		
High / Medium / Low		418/324/247 CFM
		710/550/420 m³/h
Sound Pressure Level		
High / Medium / Low		44.5/36/27 dB(A)
Dehumidication		1.2 L/h
Dimensions & Weights		
Unit Dimensions(WxHxD)		32.87×7.80×11.02-in
Weight (Net/Gross)		19.84/25.35 LBS

Heating	
Rated Capacity	11,800 BTU/h
Capacity Range	3,500 - 14,500 BTU/h
Power Input	1475 W
HSPF Zone 4	12
HSPF Zone 5	9.9
COP	3.5

Outdoor Unit Data

Compressor	DC Inverter Driven Rotary	
Refrigerant Type	R410A	
Fan Motor	Output Power	40 W
	RLA	0.38 A
Sound Pressure	58.5 dB(A)	
Dimensions & Weights		
Unit Dimensions(WxHxD)	31.50×21.81×13.11-in	
Weight (Net/Gross)	88.2/93.7 LBS	

Heating at 5°F	
Capacity	11,800 BTU/h

Operating Range		
Cooling	(Max)	122°F (50°C)
	(Min)	-22°F (-30°C)
Heating	(Max)	86°F (30°C)
	(Min)	-22°F (-30°C)

Power Supply	
Normal Operational Voltage	208/230 V, 1 Phase, 60 Hz
Interconnecting Cable Wire Size	16-4 AWG
MCA	9 A
MOCP/Breaker Size	15 A

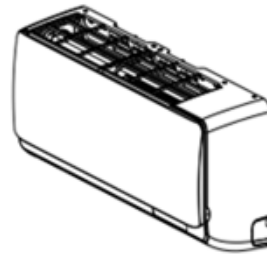
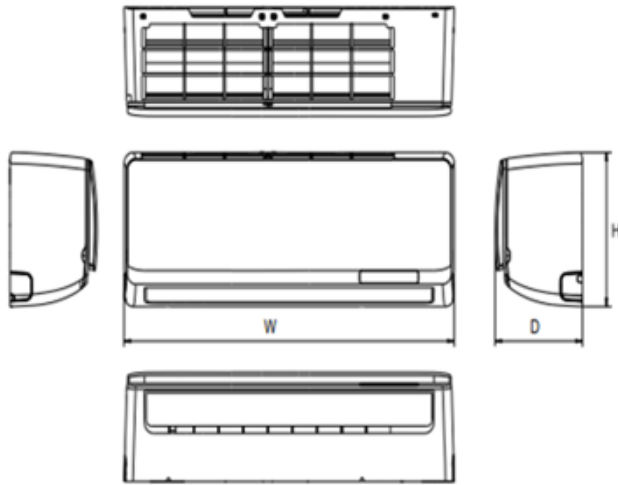
Refrigerant Piping Data	
Gas Pipe Size (OD)	1/2-in
Liquid Pipe Size (OD)	1/4-in
Connection Method	Flared
MAX Refrigerant Pipe Length	82-ft
MIN Refrigerant Pipe Length	10-ft
MAX Refrigerant Pipe Height Difference	33-ft

DIMENSIONAL SPECIFICATIONS

N/A

INDOOR UNIT DIMENSIONS

Units: inch

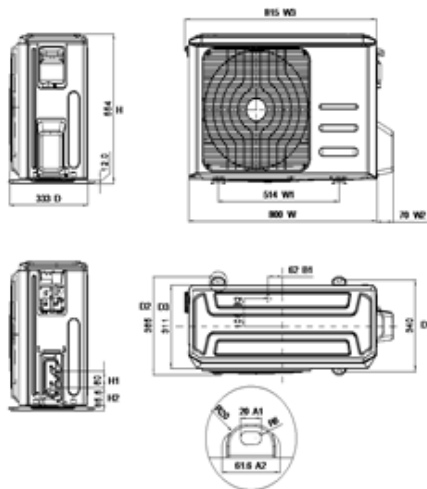


W (inch)	D (inch)	H (inch)
32.87	7.80	11.02

Liquid Line Valve	1/4-in OD Flared
Gas Line Valve	1/2-in OD Flared
Drain Connector	1-in OD

OUTDOOR UNIT DIMENSIONS

Units: inch

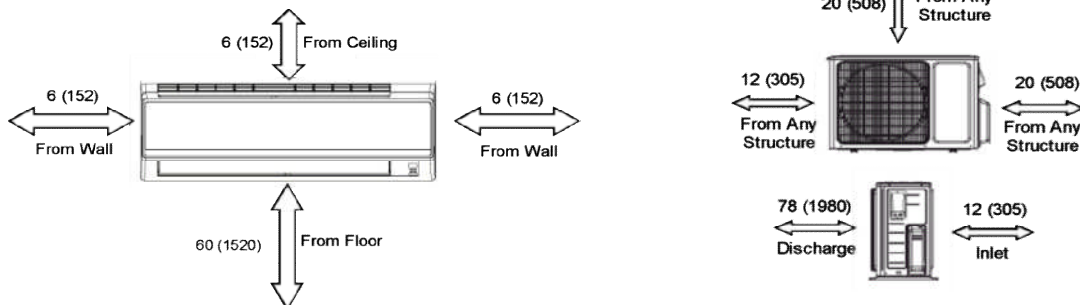


W (inch)	D (inch)	H (inch)	W+W2 (inch)	W1 (inch)	D1 (inch)
31.50	13.11	21.81	34.25	20.24	13.39

Liquid Line Valve	1/4-in OD Flared
Gas Line Valve	1/2-in OD Flared

MINIMUM SPACING REQUIREMENTS

Units: inch (mm)



Notes:

1. Recommended Interconnecting Cable Type Stranded Bare Copper Conductors THHN 600V Wire
2. Power wiring cable size must comply with applicable national and local codes.
3. Test conditions are based on AHRI 210/240.



Specifications are subject to change without notice. Manufacturer reserves the right to discontinue or modify specifications or designs without notice or without incurring obligations. All rights reserved.