

**Submittal Data:**     **3**        18,000 BTU/h Wall Mounted Heat-Pump System

Job Name \_\_\_\_\_ Location \_\_\_\_\_ Date \_\_\_\_\_

Purchaser \_\_\_\_\_ Engineer \_\_\_\_\_

Submitted To \_\_\_\_\_ For  Reference  Approval  Construction

Unit Designation \_\_\_\_\_ Schedule No. \_\_\_\_\_

**GENERAL FEATURES**  
 - Ultra Heat  
 - Ultra Cool  
 - Wifi application  
 - Optional wired control  
 - 20 to 25.5 SEER



**System Ratings**

**Indoor Unit Data**

**Cooling**  
 Rated Capacity 17,000 BTU/h  
 Capacity Range 6,000 - 19,500 BTU/h  
 Power Input 1,360 W  
 SEER (Btu/h / W) 20  
 EER (Btu/h / W) 12.5

**Fan Motor** Output Power 58 W  
 RLA 0.13 A  
**Airflow**  
 High / Medium / Low 599/411/353 CFM  
 950/750/600 m³/h  
**Sound Pressure Level**  
 High / Medium / Low 48/38.5/29 dB(A)

**Heating**  
 Rated Capacity 18,000 BTU/h  
 Capacity Range 6,000 - 21,000 BTU/h  
 Power Input 1,685 W  
 HSPF Zone 4 10.3  
 HSPF Zone 5 8.8  
 COP 3.1

**Dehumidification** 1.7 L/h  
**Dimensions & Weights**  
 Unit Dimensions(WxHxD) 38.98×12.40×8.58-in  
 Weight (Net/Gross) 26.89/34.83 LBS

**Heating at 5°F**  
 Capacity 18,000 BTU/h

**Outdoor Unit Data**

**Operating Range**  
 Cooling (Max) 122°F (50°C)  
 (Min) -22°F (-30°C)  
 Heating (Max) 86°F (30°C)  
 (Min) -22°F (-30°C)

**Compressor** DC Inverter Driven Rotary  
**Refrigerant Type** R410A  
**Fan Motor** Output Power 50 W  
 RLA 0.42 A  
**Sound Pressure** 59 dB(A)

**Power Supply**  
 Normal Operational Voltage 208/230 V, 1 Phase, 60 Hz  
 Interconnecting Cable Wire Size 16-4 AWG  
 MCA 18 A  
 MOCP/Breaker Size 25 A

**Dimensions & Weights**  
 Unit Dimensions(WxHxD) 33.27×27.64×14.29-in  
 Weight (Net/Gross) 107.4/115.1 LBS

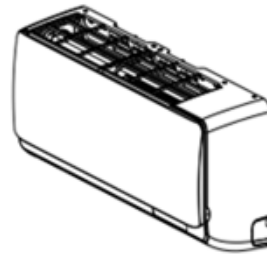
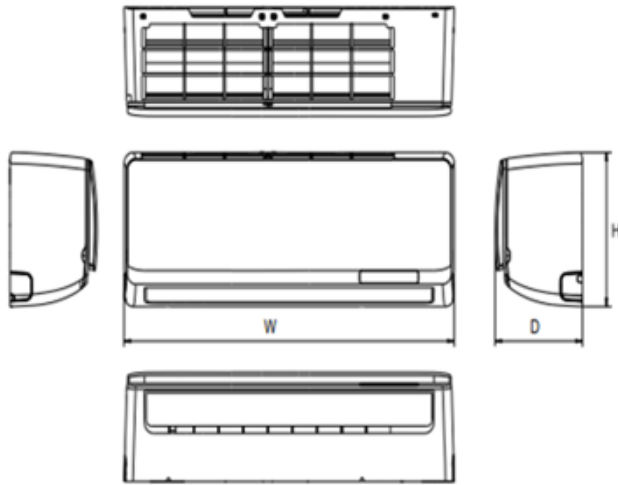
**Refrigerant Piping Data**  
 Gas Pipe Size (OD) 1/2-in  
 Liquid Pipe Size (OD) 1/4-in  
 Connection Method Flared  
 MAX Refrigerant Pipe Length 98-ft  
 MIN Refrigerant Pipe Length 10-ft  
 MAX Refrigerant Pipe Height Difference 66-ft

## DIMENSIONAL SPECIFICATIONS

**N/A**

### INDOOR UNIT DIMENSIONS

Units: inch

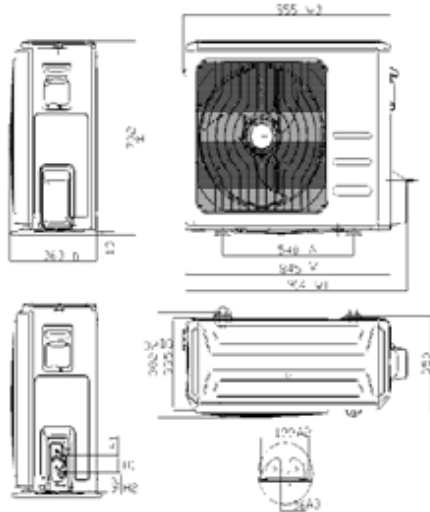


W (inch)	D (inch)	H (inch)
38.98	8.58	12.4

Liquid Line Valve	1/4-in OD Flared
Gas Line Valve	1/2-in OD Flared
Drain Connector	-in OD

### OUTDOOR UNIT DIMENSIONS

Units: inch

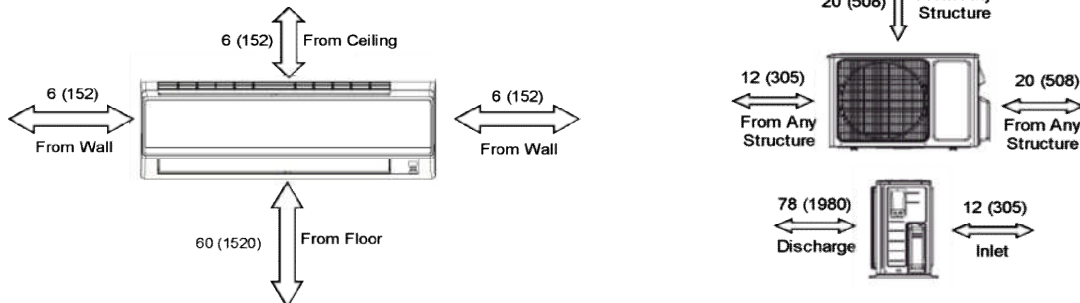


W (inch)	D (inch)	H (inch)	W+W2(inch)	W1 (inch)	D1 (inch)
33.27	14.29	27.64	33.27	21.26	13.78

Liquid Line Valve	1/4-in OD Flared
Gas Line Valve	1/2-in OD Flared

### MINIMUM SPACING REQUIREMENTS

Units: inch (mm)



**Notes:**

1. Recommended Interconnecting Cable Type Stranded Bare Copper Conductors THHN 600V Wire
2. Power wiring cable size must comply with applicable national and local codes.
3. Test conditions are based on AHRI 210/240.

Specifications are subject to change without notice. Manufacturer reserves the right to discontinue or modify specifications or designs without notice or without incurring obligations. All rights reserved.

