

**Submittal Data:**     **3**       24,000 BTU/h Wall Mounted Heat Pump System

Job Name \_\_\_\_\_ Location \_\_\_\_\_ Date \_\_\_\_\_

Purchaser \_\_\_\_\_ Engineer \_\_\_\_\_

Submitted To \_\_\_\_\_ For  Reference  Approval  Construction

Unit Designation \_\_\_\_\_ Schedule No. \_\_\_\_\_

**GENERAL FEATURES**

- Ultra Heat
- Ultra Cool
- Wifi application
- Optional wired control
- 20 to 25.5 SEER



**System Ratings**

**Indoor Unit Data**

**Cooling**

Rated Capacity	24,000 BTU/h
Capacity Range	8,000 - 26,500 BTU/h
Power Input	1,920 W
SEER (Btu/h / W)	20.5
EER (Btu/h / W)	12.5

<b>Fan Motor</b>	Output Power	60 W
	RLA	0.3 A
<b>Airflow</b>		
High / Medium / Low		794/647/500 CFM
		1350/1100/850 m <sup>3</sup> /h
<b>Sound Pressure Level</b>		
High / Medium / Low		50/44.5/39 dB(A)

**Heating**

Rated Capacity	24,000 BTU/h
Capacity Range	9,000 - 34,500 BTU/h
Power Input	2,500 W
HSPF Zone 4	10.3
HSPF Zone 5	8.4
COP	3.6

<b>Dehumidification</b>	2.6 L/h
<b>Dimensions &amp; Weights</b>	
Unit Dimensions(WxHxD)	46.69×13.39×10.16-in
Weight (Net/Gross)	40.12/50.26 LBS

**Heating at 5°F**

Capacity	24,000 BTU/h
----------	--------------

**Outdoor Unit Data**

<b>Compressor</b>	DC Inverter Driven Rotary	
<b>Refrigerant Type</b>	R410A	
<b>Fan Motor</b>	Output Power	120 W
	RLA	0.5 A
<b>Sound Pressure</b>	61 dB(A)	

**Operating Range**

Cooling	(Max)	122°F (50°C)
	(Min)	-22°F (-30°C)
Heating	(Max)	86°F (30°C)
	(Min)	-22°F (-30°C)

<b>Dimensions &amp; Weights</b>	
Unit Dimensions(WxHxD)	37.24×16.54×31.89-in
Weight (Net/Gross)	135.58/148.81 LBS

**Power Supply**

Normal Operational Voltage	208/230 V, 1 Phase, 60 Hz
Interconnecting Cable Wire Size	16-4 AWG
MCA	20 A
MOCP/Breaker Size	30 A

**Refrigerant Piping Data**

Gas Pipe Size (OD)	5/8-in
Liquid Pipe Size (OD)	3/8-in
Connection Method	Flared
MAX Refrigerant Pipe Length	164-ft
MIN Refrigerant Pipe Length	10-ft
MAX Refrigerant Pipe Height Difference	82-ft

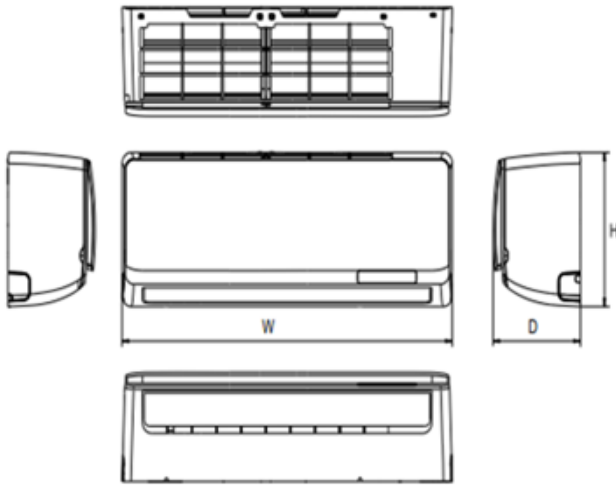


## DIMENSIONAL SPECIFICATIONS

**N/A**

### INDOOR UNIT DIMENSIONS

Units: inch

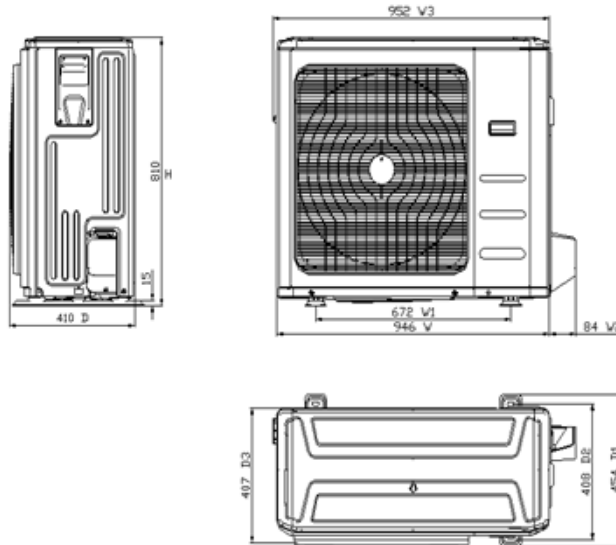


W (inch)	D (inch)	H (inch)
46.69	10.16	13.39

Liquid Line Valve	3/8-in OD Flared
Gas Line Valve	5/8-in OD Flared
Drain Connector	-in OD

### OUTDOOR UNIT DIMENSIONS

Units: inch

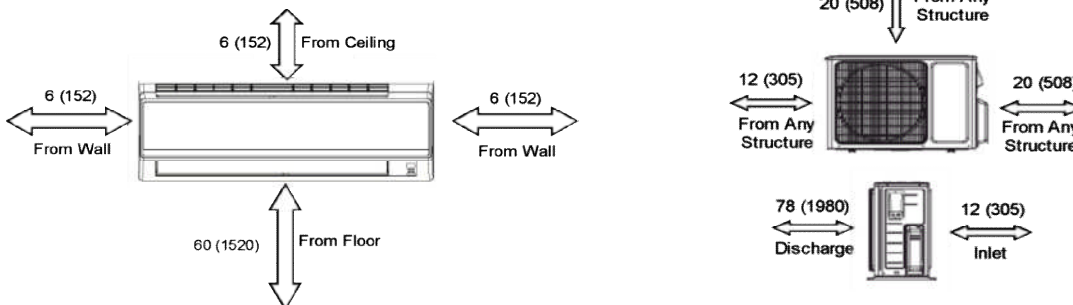


W (inch)	D (inch)	H (inch)	W+W2 (inch)	W1 (inch)	D1 (inch)
37.24	16.54	31.89	40.55	26.50	17.87

Liquid Line Valve	3/8-in OD Flared
Gas Line Valve	5/8-in OD Flared

### MINIMUM SPACING REQUIREMENTS

Units: inch (mm)



**Notes:**

1. Recommended Interconnecting Cable Type Stranded Bare Copper Conductors THHN 600V Wire
2. Power wiring cable size must comply with applicable national and local codes.
3. Test conditions are based on AHRI 210/240.



Specifications are subject to change without notice. Manufacturer reserves the right to discontinue or modify specifications or designs without notice or without incurring obligations. All rights reserved.